

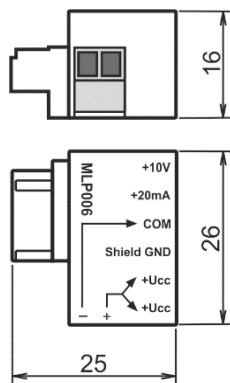
PRODUCT DESCRIPTION

MLP006 adapter is designed for easy connection voltage and current signals to the inputs of M13xx Multiloggers in those cases, where the connected transmitters require power from external source.

TECHNICAL PARAMETERS

Terminals	CPP3.5
Maximal wire cross-section	1 mm ²
Operating temperature range	-10 to +60 °C
Operating relative humidity range	5 to 85 %RH without condensation
Weight	10 g

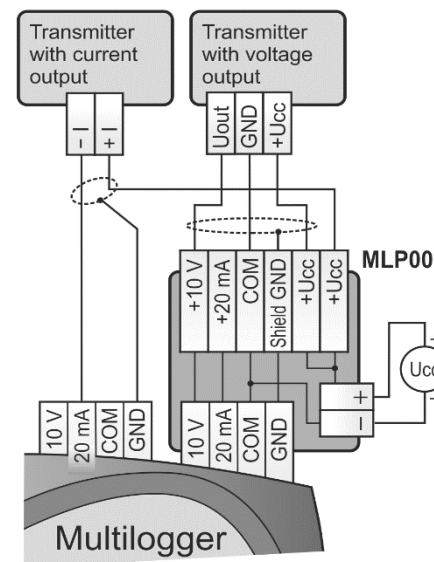
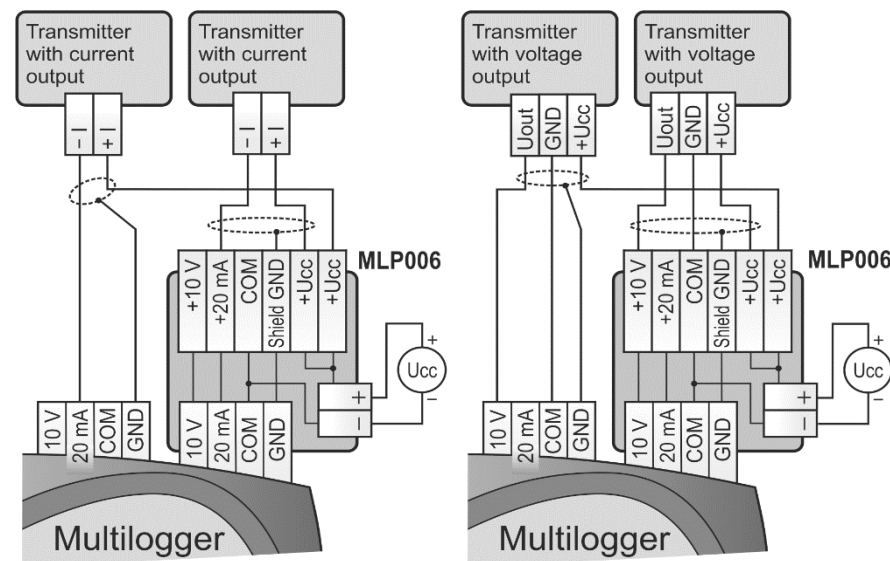
DIMENSIONS



INSTALLATION

- connect transmitters and external power supply to the adapter and to the self-locking WAGO terminal (see *Typical application wiring*)
- if the more transmitters with a common power supply have to be connected to the Multilogger, use only one adapter MLP006. In this case connect it to the input No.4

TYPICAL APPLICATION WIRING



WARNING

- power supply U_{cc} is used only to power the transmitters
- the shielding of the cables connect only to the GND terminals of Multilogger (do not connect it to any other circuitry and do not ground it)
- never use a shielding of the cables as signal wire
- to supplement the information provided in this data sheet, use the manuals and other documentations which are available at address www.cometsystem.com

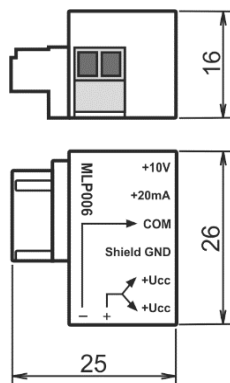
PRODUCT DESCRIPTION

MLP006 adapter is designed for easy connection voltage and current signals to the inputs of M13xx Multiloggers in those cases, where the connected transmitters require power from external source.

TECHNICAL PARAMETERS

Terminals	CPP3.5
Maximal wire cross-section	1 mm ²
Operating temperature range	-10 to +60 °C
Operating relative humidity range	5 to 85 %RH without condensation
Weight	10 g

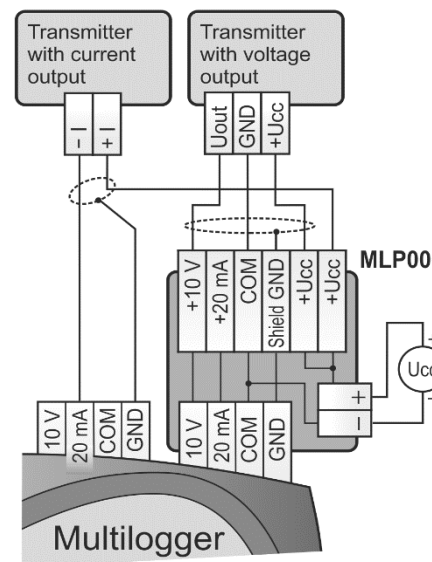
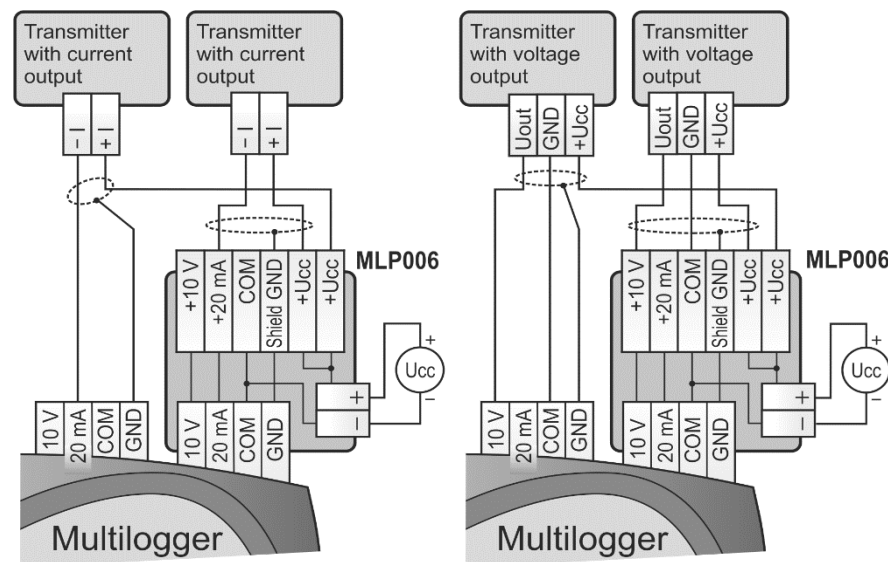
DIMENSIONS



INSTALLATION

- connect transmitters and external power supply to the adapter and to the self-locking WAGO terminal (see *Typical application wiring*)
- if the more transmitters with a common power supply have to be connected to the Multilogger, use only one adapter MLP006. In this case connect it to the input No.4

TYPICAL APPLICATION WIRING



WARNING

- power supply U_{cc} is used only to power the transmitters
- the shielding of the cables connect only to the GND terminals of Multilogger (do not connect it to any other circuitry and do not ground it)
- never use a shielding of the cables as signal wire
- to supplement the information provided in this data sheet, use the manuals and other documentations which are available at address www.cometsystem.com